






TGR1 Thermal overload Relay

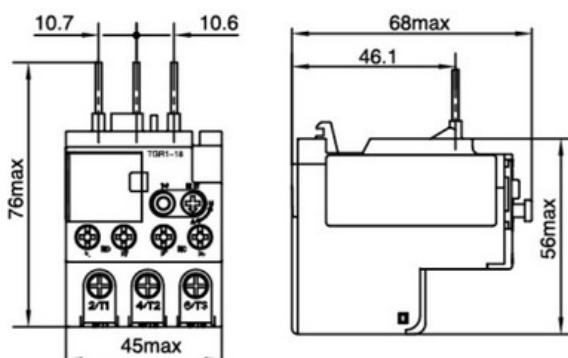
specification

Type	setting range(A)	(RT16)A	mm ²	
 <p>TGR1-18</p>	0.1~0.16	4	1	 <p>TGC1-06 TGC1-09 TGC1-12 TGC1-18</p>
	0.16~0.25	4		
	0.25~0.4	4		
	0.4~0.63	4		
	0.63~1	4		
	1~1.6	4		
	1.6~2.5	6		
	2.5~4	10		
	4~6	16		
	5.5~8	20	1.5	
	7~10	20		
9~13	25			
 <p>TGR1-38</p>	12~18	35	2.5	 <p>TGC1-25 TGC1-32 TGC1-38</p>
	9~13	25		
	12~18	35	4	
	17~25	50		
	23~32	63		
 <p>TGR1-95</p>	30~38	80	10	 <p>TGC1-40 TGC1-50 TGC1-65 TGC1-80 TGC1-95</p>
	23~32	63	10	
	30~40	80		
	37~50	100		
	48~65	125	25	
	55~70	125		
	63~80	160		
80~95	160	35		

TGR1

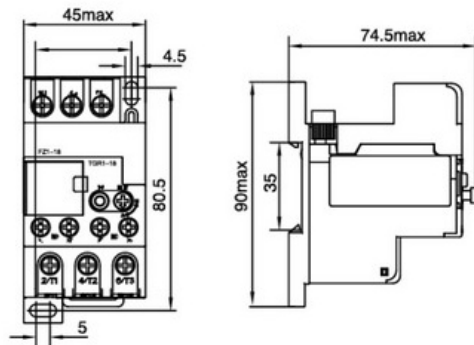
accessories

Type	size	contactor Type
	FZ1-18	TGR1-18
	FZ1-38	TGR1-38
	FZ1-95	TGR1-95

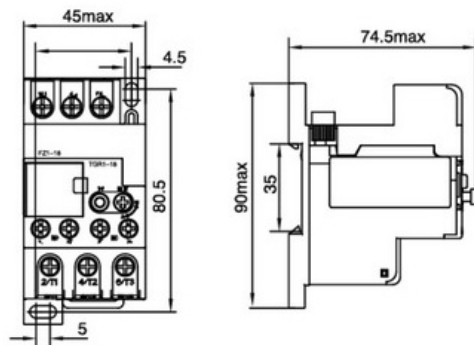


TGR1-18

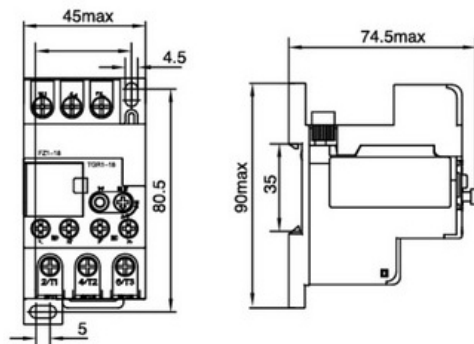
TGR1 accessories



2 TGR1-18



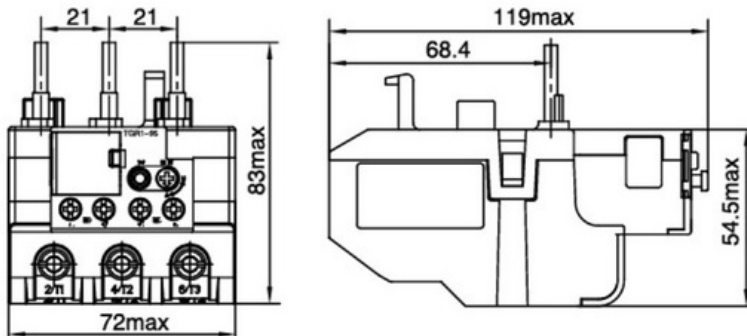
3 TGR1-38



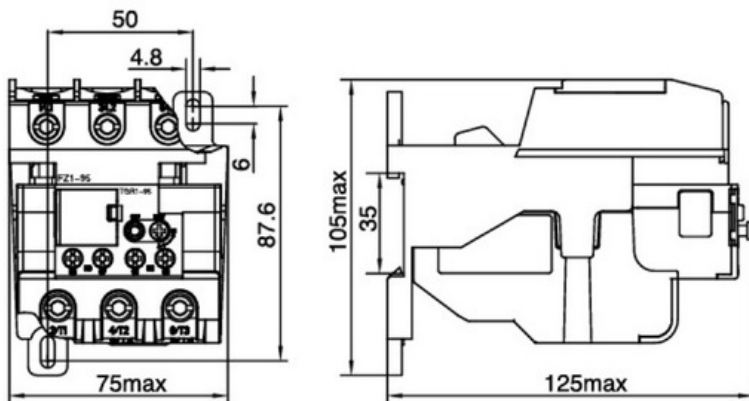
4 TGR1-38

TGR1 Thermal overload Relay

TGR1 accessories



5 TGR1-95



6 TGR1-95